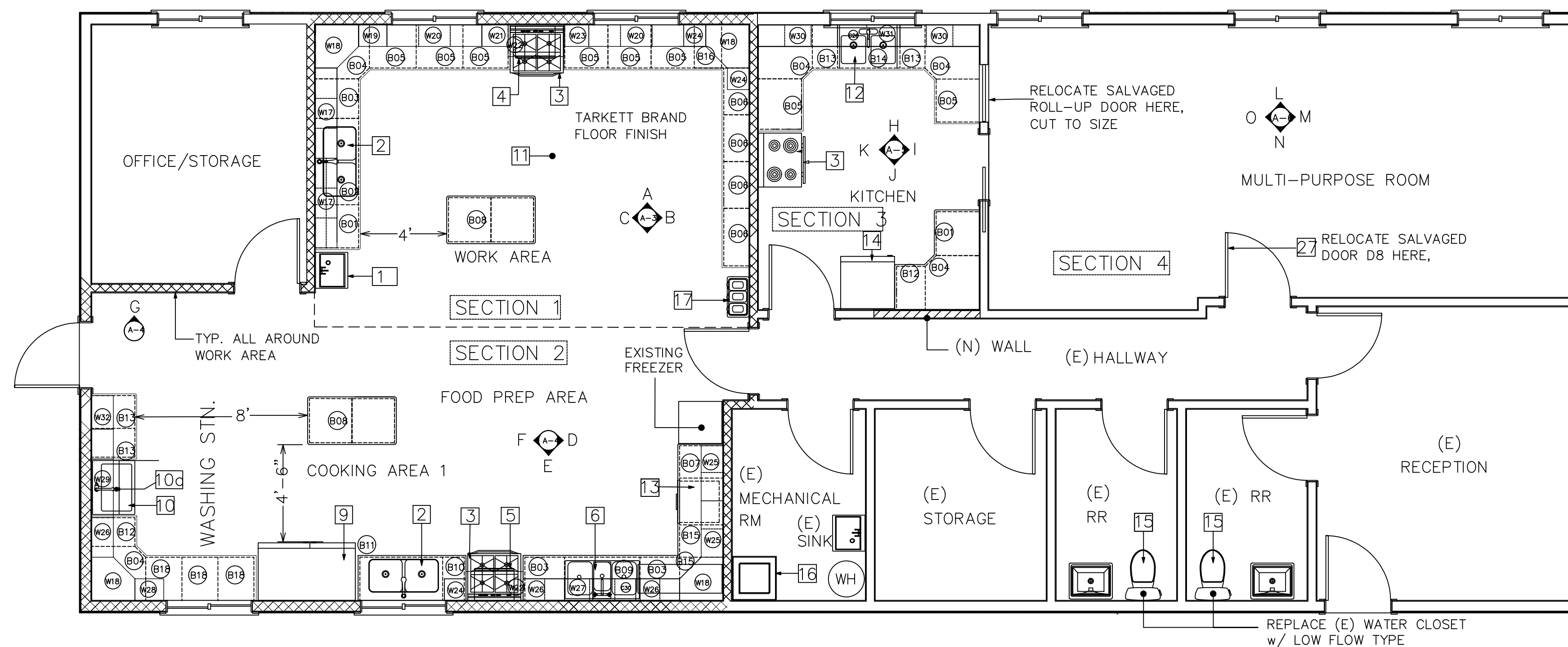


1 EXISTING FLOOR PLAN

Approximate Scale: 1/4" = 1'-0"
Verify dimensions on site



2 PROPOSED FLOOR PLAN

Approximate Scale: 1/4" = 1'-0"
Verify dimensions on site

PROJECT DESCRIPTION

PROJECT DESCRIPTION:

1. REMOVE EXISTING WALLS AND CABINERY INCLUDING PLUMBING LINES AND ELECTRICAL CIRCUITRY IN STERILIZATION ROOM AND LAB.
2. REMOVE AND REUSED EXISTING ROLL-UP DOOR.
3. REMOVE EXISTING WALL AND DOOR BETWEEN OFFICE AND RECEPTION OFFICE AND REUSE DOOR.
4. REPLACED EXISTING WATER CLOSET ON MALE AND FEMALE RESTROOMS.
5. INSTALL NEW 5/8" THK. TYPE "X" GYPSUM BOARD WITH R-35 BATT INSULATION AT WORK AND COOKING AREA.
6. REPLACE ALL INTERIOR WALL BOARD IN WORK AREA BATT WITH 5/8" THK. TYPE "X" GYPSUM BOARD WITH R-21 INSTALLATION
7. REMOVE T-BAR CEILING IN SECTION , 2 AND 3, REPALCE AND REALLOCATE WITH 5/8" THK. TYPE "X" GYPSUM BOARD. REUSE AND REALLOCATE ANY CEILING TILES THAT ARE NOT DAMAGED WITH CEILING TILES THAT ARE DAMAGED THROUGH THE BUILDING
8. REMOVE AND REALLOCATE FOUR CABINETS TO OFFICE STORAGE AREA.
9. REMOVE CABINETS, COUNTER TOP, AND SINKS INCLUDING PLUMBING ELECTRICAL XXX DENTAL 2.
10. REMOVE COUNTER TOP IN RECEPTION OFFICE.
11. WINDOW PER STRUCTURAL PLAN.

GENERAL NOTES:

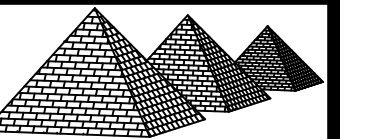
CONTRACTOR SHALL VISUALLY INSPECT DURING DEMOLITION AND CONSTRUCTION PROCESSES ALL EXISTING CONSTRUCTION MATERIALS AND ASSEMBLIES IN AREA(S) OF REMODELING, WHERE NEW CONSTRUCTION ATTACHES TO EXISTING- MEMBERS DAMAGED BEYOND SERVICEABILITY SHALL NOT BE USED,] OR DAMAGED PORTIONS EXCISED.

CONSTRUCTION SHALL BE OF THE HIGHEST QUALITY OF WORKMANSHIP, AND ALL NEW FRAMING SHALL BE CONSTRUCTED TRUE AND PLUMB, and SO AS TO ALIGN WITH EXISTING ASSEMBLIES, ALL THING INSTALLATION OF FINISH MATERIALS w/ SMOOTH SURFACE TRANSITION.

PLEASE NOTE :

THESE DOCUMENTS DESCRIBE CONSTRUCTION and/or DEMOLITION INVOLVING AREAS OR ASSEMBLIES OF AN EXISTING STRUCTURE. THE BUILDER SHALL BE RESPONSIBLE FOR VERIFYING EXISTING CONDITIONS AND DIMENSIONS PRIOR TO ORDERING MATERIALS OR COMMENCING WORK, AND SHALL REPORT DISCREPANCIES TO THE ENGINEER OR OWNER. NO LIABILITY IS ASSUMED FOR EXISTING CONDITIONS OR THE PERFORMANCE OF BUILDING COMPONENTS ATTACHED THERETO.

FIXTURE DRAWINGS ARE FOR REPRESENTATION ONLY. REFER TO FIXTURE AND EQUIPMENT LIST FOR ACTUAL MODEL OR TYPE OF EACH FIXTURE.



Precision Structural Engineering, Inc.

www.structure1.com
Klamath Falls Office
250 Main
Klamath Falls, Oregon
97601
Phone: (541) 850-6300
Fax: (541) 850-6233
info@structure1.com

Medford Office
836 Mason Way
Medford OR 97501
Phone: (541) 858-8500
Fax: (541) 778-4863
infomd@structure1.com

Licensed in:
Arizona Missouri
California Nebraska
Colorado Nevada
Florida North Carolina
Hawaii Oregon
Iowa Utah
Illinois Washington
Kansas

Construction Types:
Light Gauge Steel, Straw
Bales, Bamboo, Log,
Timber/Wood, Structural
Insulated Panels/SIPs,
Masonry, Steel, Concrete,
Modular Homes/Factory Built
Housing (FBH), Coffee Shop,
ICF, etc. Commercial or
Residential.

Project:

Dental Facility Conversion

202 Pioneer Street
Chiloquin, Oregon

Owner:

Klamath
Tribe

Stamp:

REVISIONS:

MARK DATE DES. BY:

MARK	DATE	DES.	BY:

DRAWN BY: RDZ

DS. BY: X.X.

CHK BY: N.T.

DATE: 09-19-16

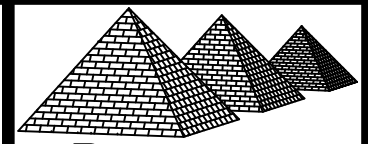
PROJECT #:
Klamath
Tribal Health 216-1

TITLE:
FLOOR PLANS

PAGE NO:

A1

THE DOCUMENTS, IDEAS AND DESIGN'S INCORPORATED HEREIN, AS AN INSTRUMENT OF PROFESSIONAL SERVICE IS THE PROPERTY OF PRECISION STRUCTURAL ENGINEERING, AND IS NOT TO BE USED, IN WHOLE OR PART, FOR ANY OTHER PROJECT WITHOUT THE WRITTEN PERMISSION OF PRECISION STRUCTURAL ENGINEERING.



**Precision
Structural
Engineering,
Inc.**

www.structure1.com
Klamath Falls Office
250 Main
Klamath Falls, Oregon
97601
Phone: (541) 850-6300
Fax: (541) 850-6233
info@structure1.com

Medford Office
836 Mason Way
Medford, OR 97501
Phone: (541) 858-8500
Fax: (541) 778-4663
infomd@structure1.com

Licensed in:
Arizona Missouri
California Nebraska
Colorado Nevada
Florida North Carolina
Hawaii Oregon
Iowa Utah
Illinois Washington
Kansas

Construction Types:
Light Gauge Steel, Straw
Bales, Bamboo, Log,
Timber/Wood, Structural
Insulated Panels/SIPs,
Masonry, Steel, Concrete,
Modular Homes/Factory Built
Housing (FBH), Coffee Shop,
ICF, etc., Commercial or
Residential.

Project:

**Dental Facility
Conversion**

202 Pioneer Street
Chiloquin, Oregon

Owner:

**Klamath
Tribe**

Stamp:

REVISIONS:

MARK DATE DES. BY:

MARK	DATE	DES.	BY:

DRAWN BY: RDZ

DS. BY: X.X.

CHK BY: N.T.

DATE: 09-19-16

PROJECT #:
Klamath
Tribal Health 216-1

TITLE:
SCHEDULES

PAGE NO:

A2

APPLIANCE SCHEDULE

NO	LABEL	QTY.	MODEL/ITEM NO.
3	GE 5.0 C.FT ELECTRIC RANGE WITH SELF CLEANING OVEN IN SILVER	2	JB255GUSA
4	MAYTAG 1.9 CU.FT. OVER THE RANGE MICROWAVE IN STAINLESS STEEL WITH SENSOR COOLING	1	MMV6190DS
5	MAYTAG 1.7 CU.FT. OVER THE RANGE MICROWAVE IN STAINLESS STEEL	1	MVV1174DS
9	AVANTCO CFD-2RR-G 54" TWO SECTION GLASS DOOR REACH-IN REFRIGERATOR WITH LED LIGHTING 48.5 CU. FT.	1	178CFD2RRG
11	EPSON CINEMA 1040, 1920 x 1200 FULL HD 1080 PROJECTOR WITH 3000 LUMENS	1	V11H772020
13	WHIRPOOL GOLD SERIES TOP CONTROL DISHWASHER IN MONOCHROMATIC SS WITH SILVERWARE SPRAY	1	WDT720PADM

FIXTURE SCHEDULE

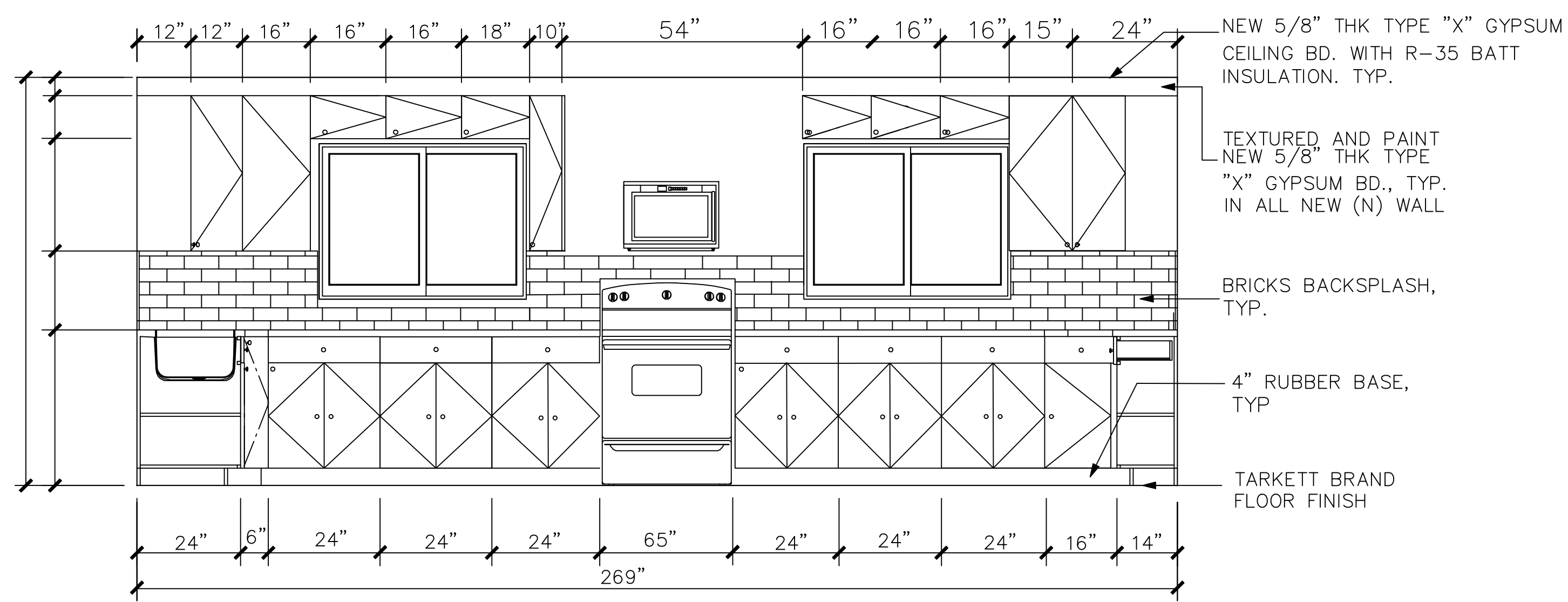
NO	LABEL	QTY.	MODEL/ITEM NO.
1	REGENCY 17" x 15" WALL MOUNTED HAND SINK WITH GOOSE NECK FAUCET	1	178CFD2RRG
2	GLACIER ALL-IN-ONE TOP MOUNT STAINLESS STEEL 33 IN 2-HOLE DOUBLE BOWL KITCHEN SINK	3	SM2033-F
6	REGENCY 10" X 14" X 10" STAINLESS STEEL 3 COMPARTMENT SINK. @ WEBSTAIRANT	1	600DI310410
10	KRAUS ALL IN ONE UNDERMOUNT STAINLESS STEEL 30" SINK	1	KHU100-30
10a	REGENCY 1.42 GPM DECK MOUNTED PRE-RINSE FAUCET AT WEBSTAIRANT	1	600FPRD
15	AMERICAN STANDARD CADET 3 FLOWISE 2-PIECE 1.28 GPF HIGH EFFECIENCY ELOGATED TOILET IN WHITE	2	3378.128ST.020
16	24"X24"X18" BUILT-UP SLAB SINK		
17	RUBBERMAID SLIM JIM 23 GAL. BLUE RECYCLE RECYCLING CONTAINER WITH VENTING CHANNELS	3	3378.128ST.020

CABINET SCHEDULE

NUMBER	QTY	WIDTH	DEPTH	HEIGHT	DESCRIPTION	REMARKS
B01	2	24"	24"	36"	BASE CABINET	
B02	1	48"	24"	36"	BASE CABINET	with sink on top
B03	3	22"	24"	36"	BASE CABINET	
B04	4	30"	30"	36"	CORNER BASE CAB.	
B05	8	26"	24"	36"	BASE CABINET	
B06	4	26"	14"	36"	BASE CABINET	
B07	2	18"	24"	36"	BASE CABINET	
B07 b	1	26"	24"	36"	BASE CABINET	dishwasher under
B08	2	48"	24"	36"	ISLAND BASE CABINET	movable with roller and brake 3-compartments
B09	1	42"	24"	36"	BASE CABINET	sink on top
B10	3	12"	24"	36"	BASE CABINET	
B11	1	46"	24"	36"	BASE CABINET	sink on top
B12	1	16"	24"	36"	BASE CABINET	
B13	2	17"	24"	36"	BASE CABINET	
B14	1	22"	24"	36"	BASE CABINET	sink on top
B15	1	24"	24"	36"	CORNER BASE CAB.	
B16	1	60"	24"	36"	CORNER BASE CAB.	2-compartments
B17	2	20"	24"	36"	CORNER BASE CAB.	
B18	3	20"	24"	36"	BASE CAB.	
W17	2	50"	12"	36"	WALL CABINET	3-compartments
W18	4	24"	24"	36"	CORNER WALL CAB.	
W19	1	16"	12"	36"	WALL CABINET	
W20	2	53"	12"	10"	WALL CABINET	3-compartments (above window)
W21	1	14"	12"	36"	WALL CABINET	
W23	1	13 1/2"	12"	36"	WALL CABINET	
W24	2	12"	12"	36"	WALL CABINET	
W25	2	31"	12"	36"	WALL CABINET	2-compartments
W26	3	22"	12"	36"	WALL CABINET	2-compartments
W27	1	42"	12"	20"	WALL CABINET	3-compartments
W28	1	16"	12"	36"	WALL CABINET	
W29	1	32"	12"	20"	WALL CABINET	2-compartments
W30	2	44"	12"	36"	WALL CABINET	3-compartments
W31	1	34"	12"	20"	WALL CABINET	2-compartments
W32	1	34"	12"	20"	WALL CABINET	2-compartments

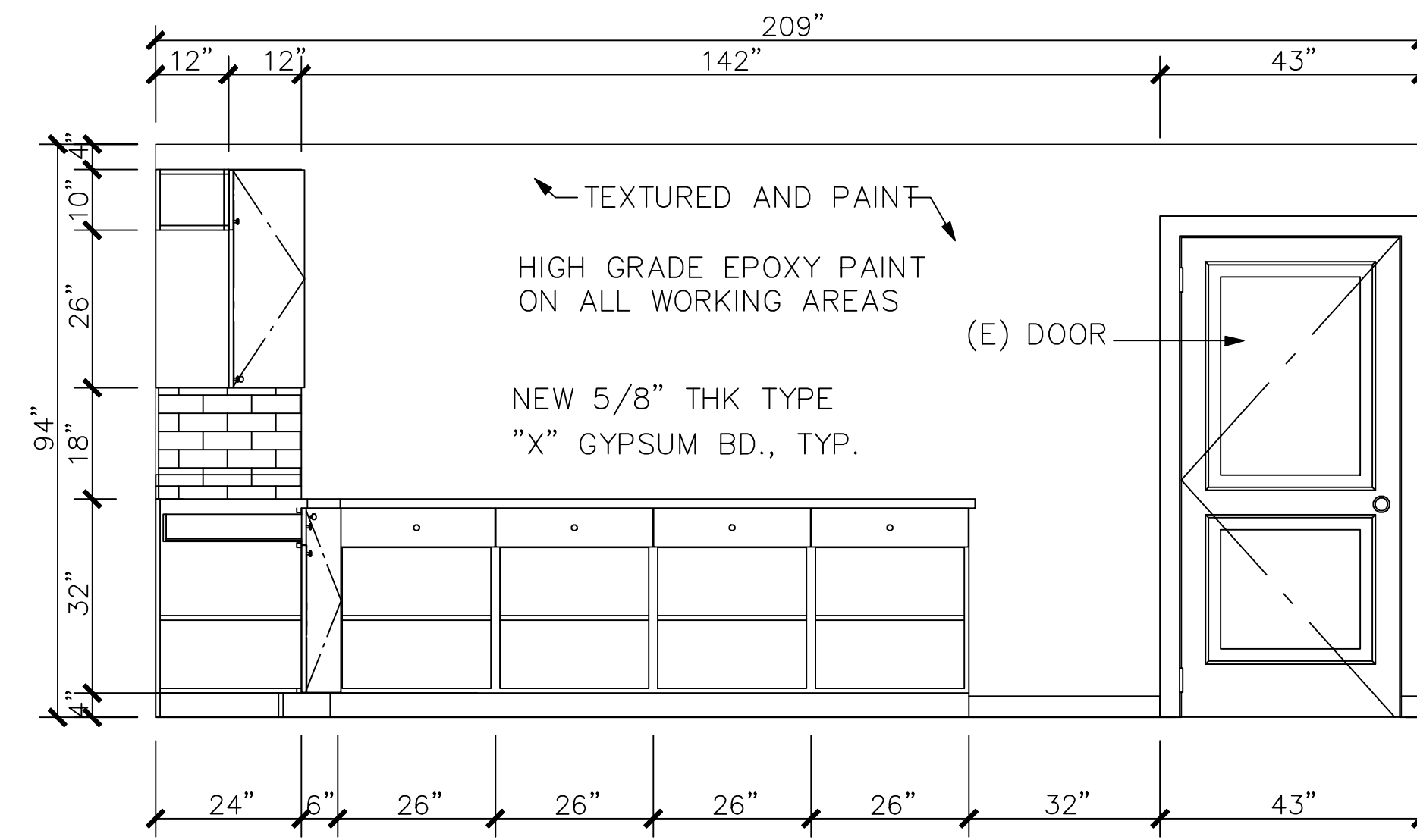
NOTE:
COORDINATE WITH THE ONWER
FOR CABINET TYPE, DESIGN AND COLOR

THE DOCUMENTS, IDEAS AND DESIGN'S INCORPORATED HEREIN, AS AN INSTRUMENT OF PROFESSIONAL SERVICE, IS THE PROPERTY OF PRECISION STRUCTURAL ENGINEERING, AND IS NOT TO BE USED, IN WHOLE OR PART, FOR ANY OTHER PROJECT WITHOUT THE WRITTEN PERMISSION OF PRECISION STRUCTURAL ENGINEERING.

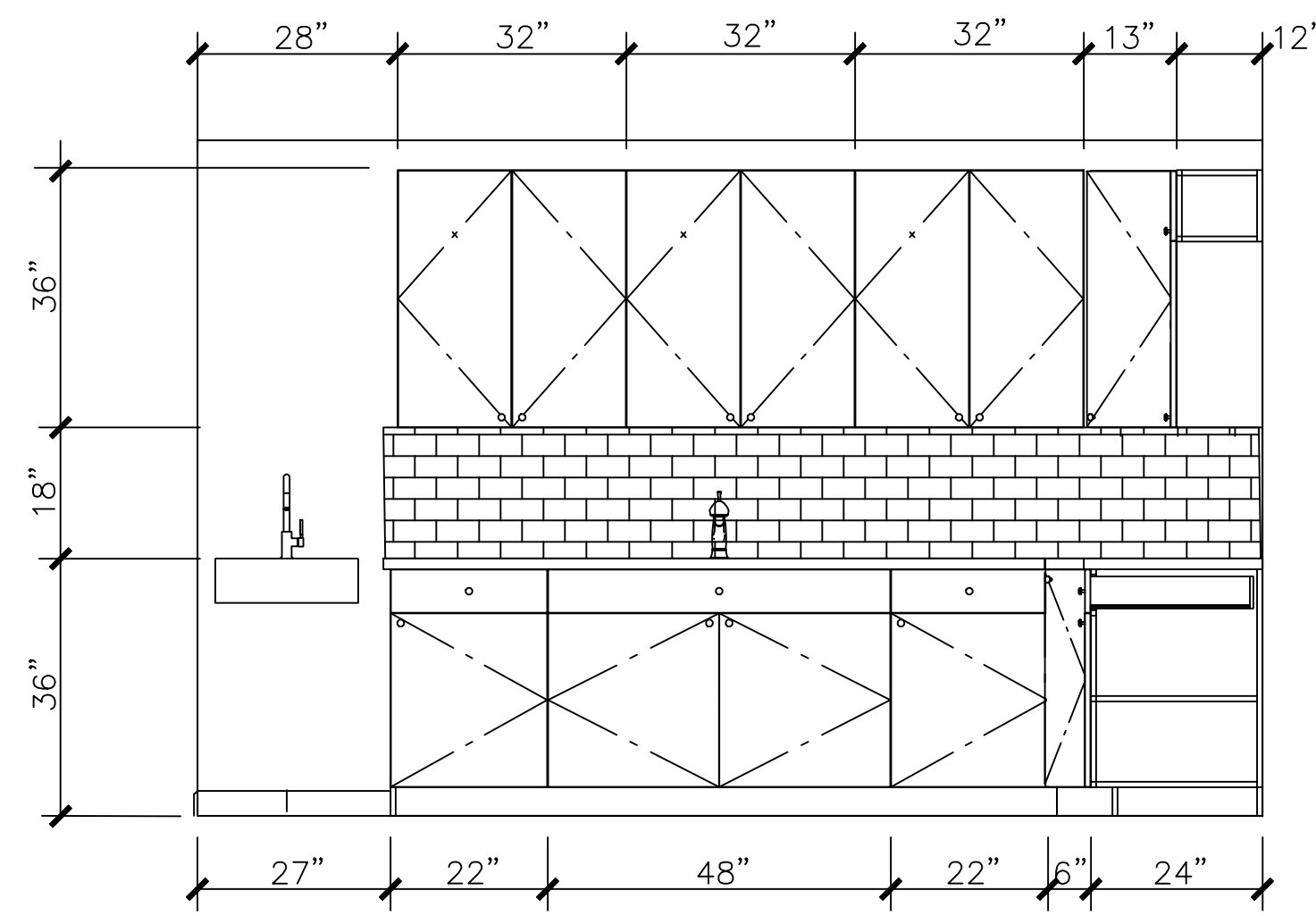


① ELEVATION A

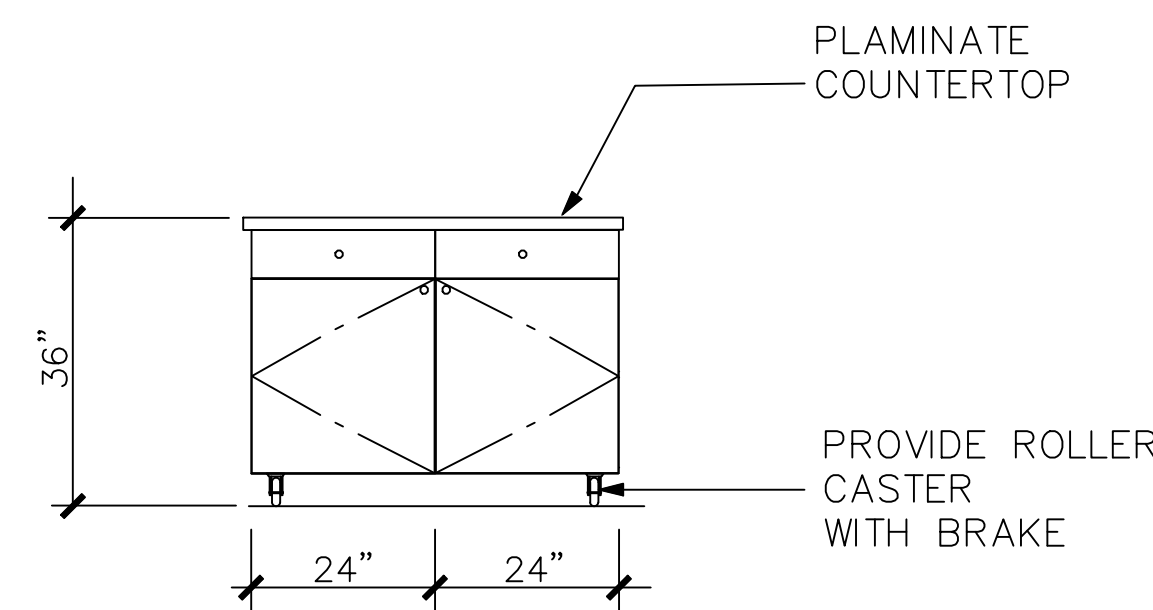
NOTE:
SIMILAR INFO FOR
FINISHES IN ALL
ELEVATION VIEWS



② ELEVATION B

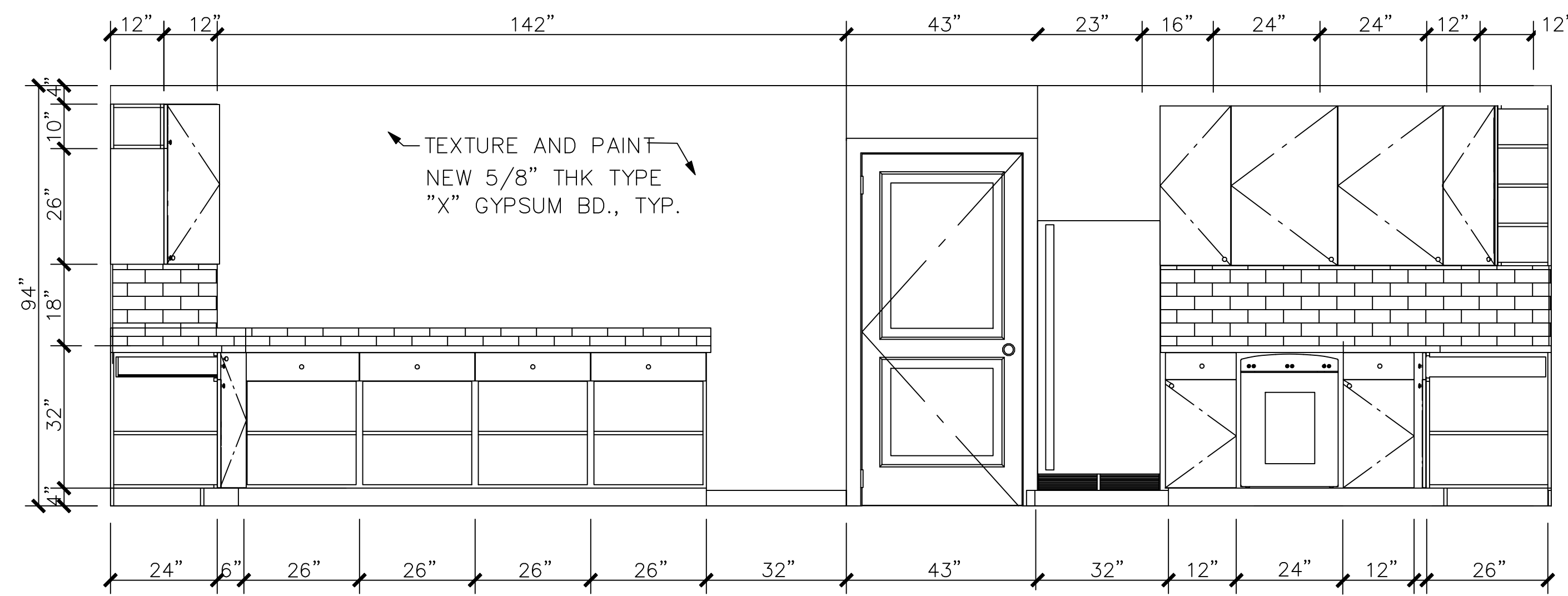


③ ELEVATION C

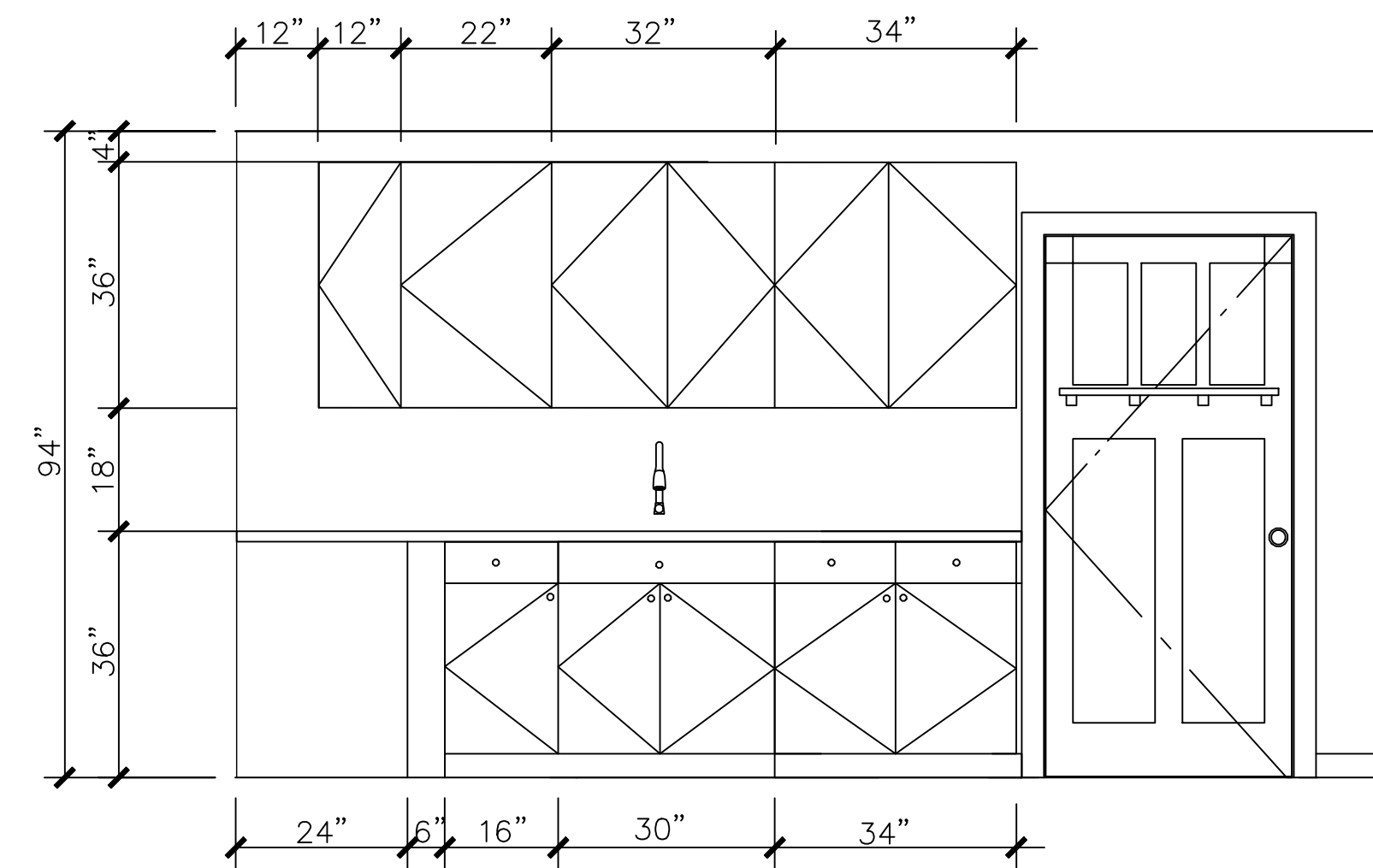


④ ISLAND CABINET

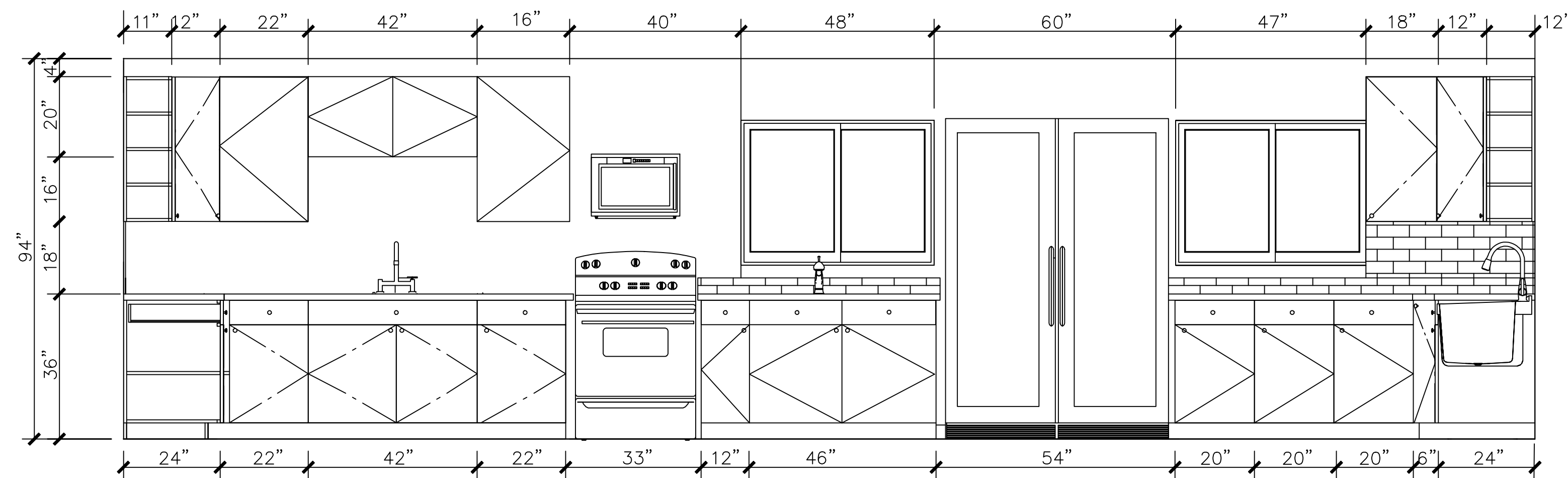
THE DOCUMENTS, IDEAS AND DESIGNS INCORPORATED HEREIN, AS AN INSTRUMENT OF PROFESSIONAL SERVICE, IS THE PROPERTY OF PRECISION STRUCTURAL ENGINEERING, AND IS NOT TO BE USED, IN WHOLE OR PART, FOR ANY OTHER PROJECT WITHOUT THE WRITTEN PERMISSION OF PRECISION STRUCTURAL ENGINEERING.



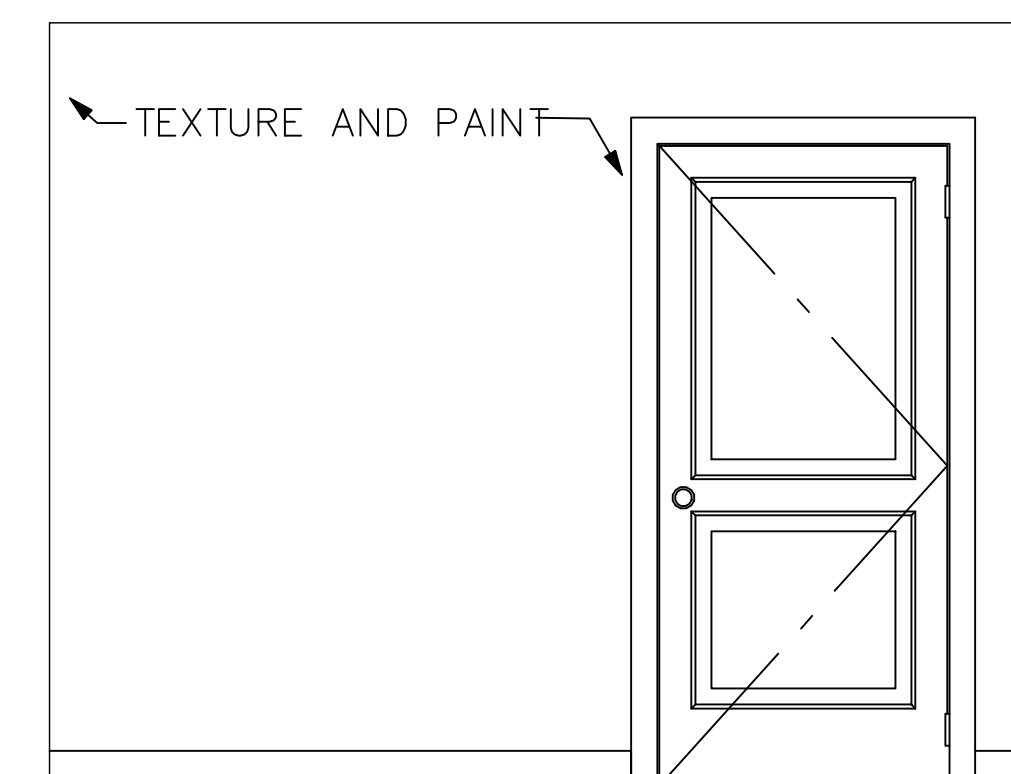
① ELEVATION D



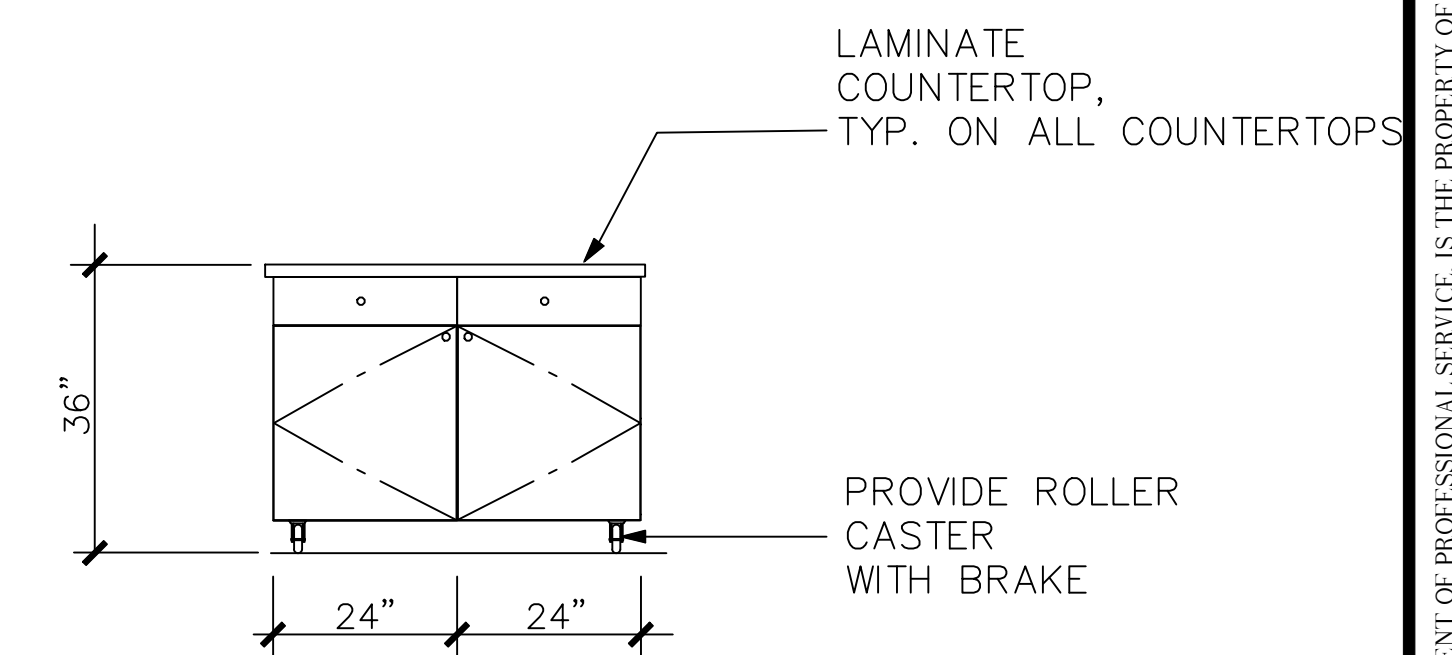
③ ELEVATION F



② ELEVATION E

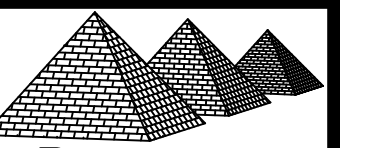


④ ELEVATION G



⑤ ISLAND CABINET

SECTION 2



Precision
Structural
Engineering,
Inc.

www.structure1.com
Klamath Falls Office
250 Main
Klamath Falls, Oregon
97601
Phone: (541) 850-6300
Fax: (541) 850-6233
info@structure1.com

Medford Office
836 Mason Way
Medford OR 97501
Phone: (541) 858-8500
Fax: (541) 778-4863
infomd@structure1.com

Licensed in:
Arizona Missouri
California Nebraska
Colorado Nevada
Florida North Carolina
Hawaii Oregon
Iowa Utah
Illinois Washington
Kansas

Construction Types:
Light Gauge Steel, Straw
Bales, Bamboo, Log,
Timber/Wood, Structural
Insulated Panels/SIPs,
Masonry, Steel, Concrete,
Modular Homes/Factory Built
Housing (FBH), Coffee Shop,
ICF, etc. Commercial or
Residential.

Project:

Dental Facility
Conversion

202 Pioneer Street
Chiloquin, Oregon

Owner:

Klamath
Tribe

Stamp:

REVISIONS:
MARK DATE DES./BY:

DRAWN BY: RDZ

DS. BY: X.X.

CHK BY: N.T.

DATE: 09-19-16

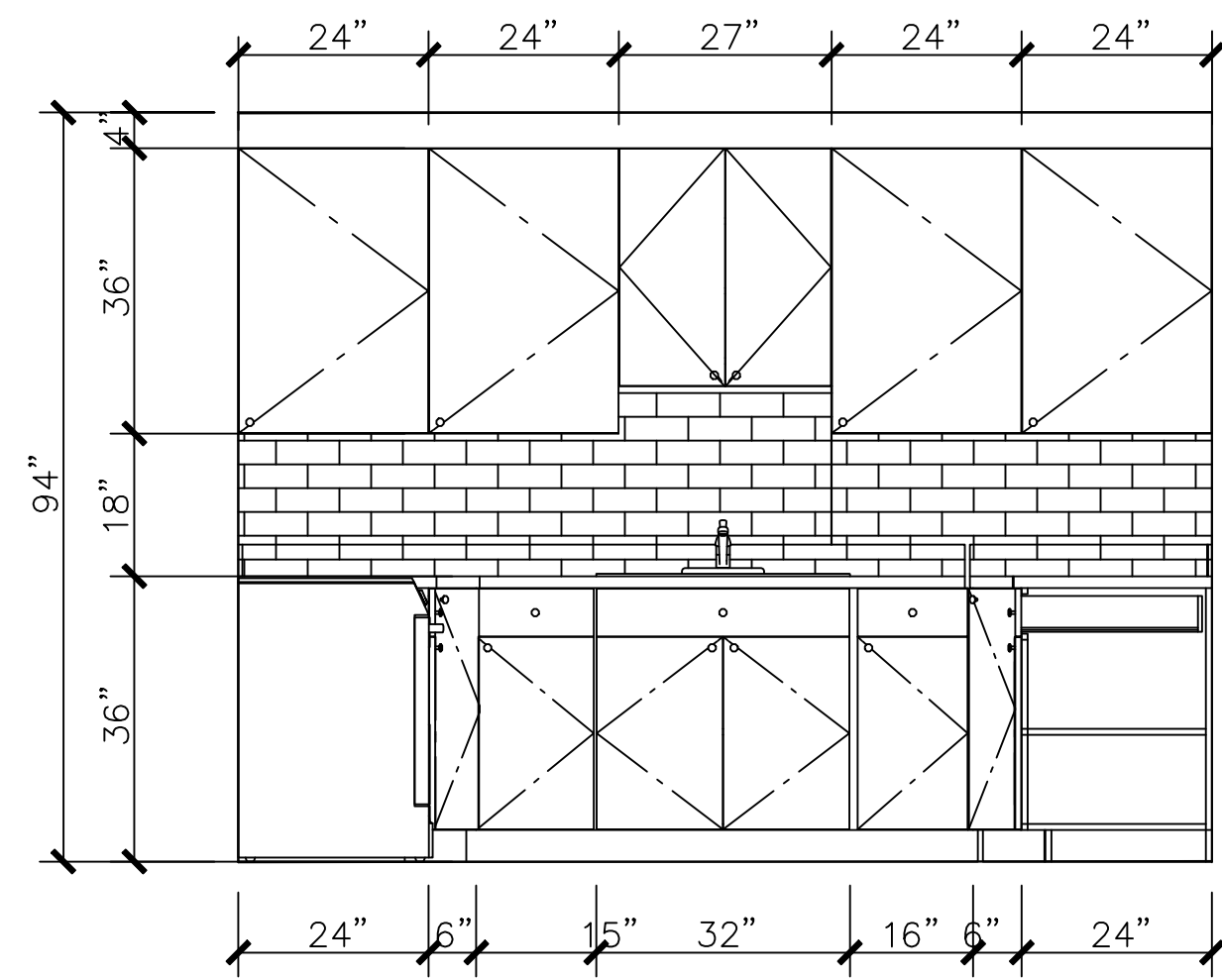
PROJECT #:
Klamath
Tribal Health 216-1

TITLE:
ELEVATIONS

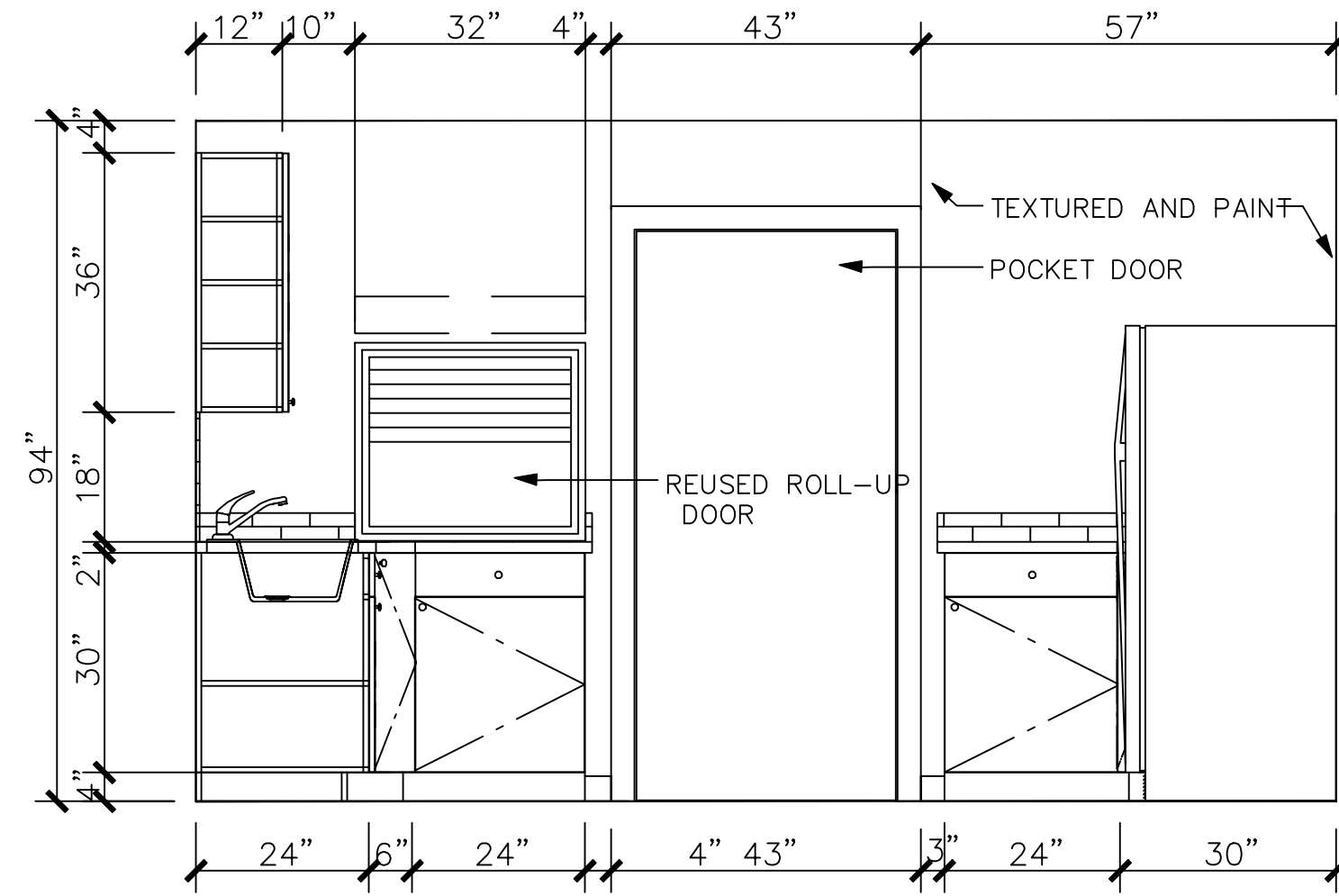
PAGE NO:

A4

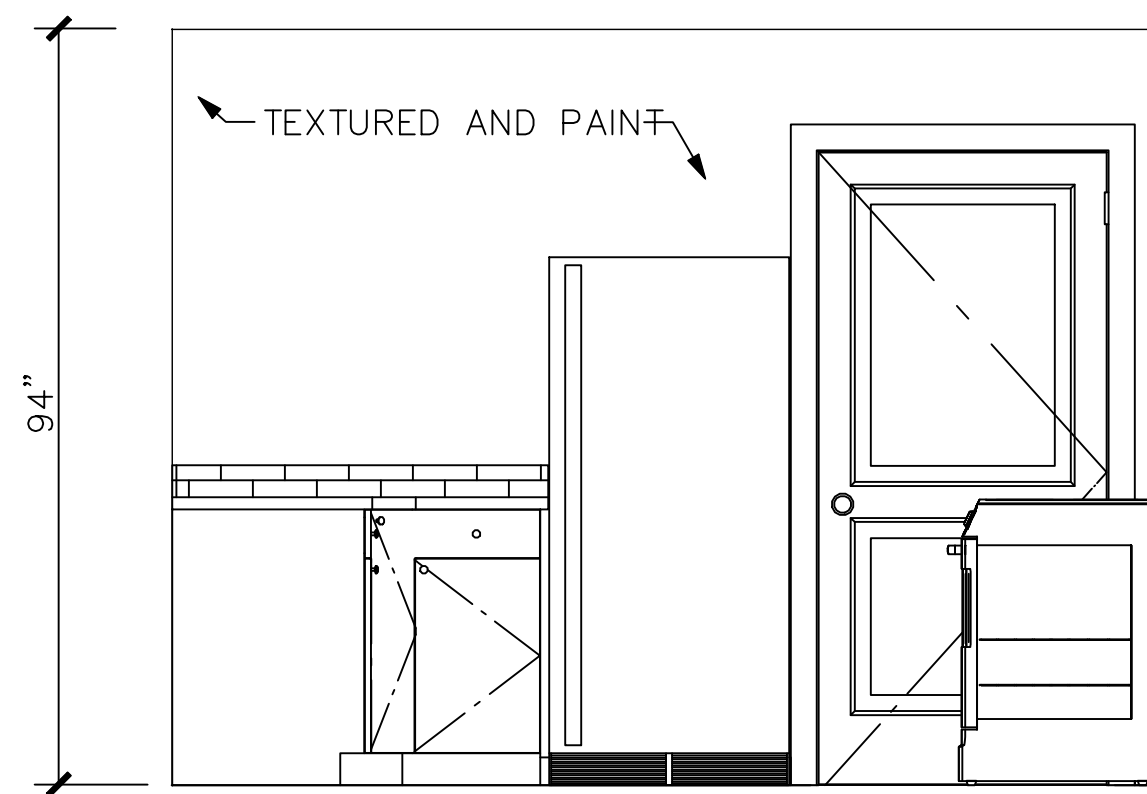
THE DOCUMENTS, IDEAS AND DESIGNS INCORPORATED HEREIN, AS AN INSTRUMENT OF PROFESSIONAL SERVICE, IS THE PROPERTY OF PRECISION STRUCTURAL ENGINEERING, AND IS NOT TO BE USED, IN WHOLE OR PART, FOR ANY OTHER PROJECT WITHOUT THE WRITTEN PERMISSION OF PRECISION STRUCTURAL ENGINEERING.



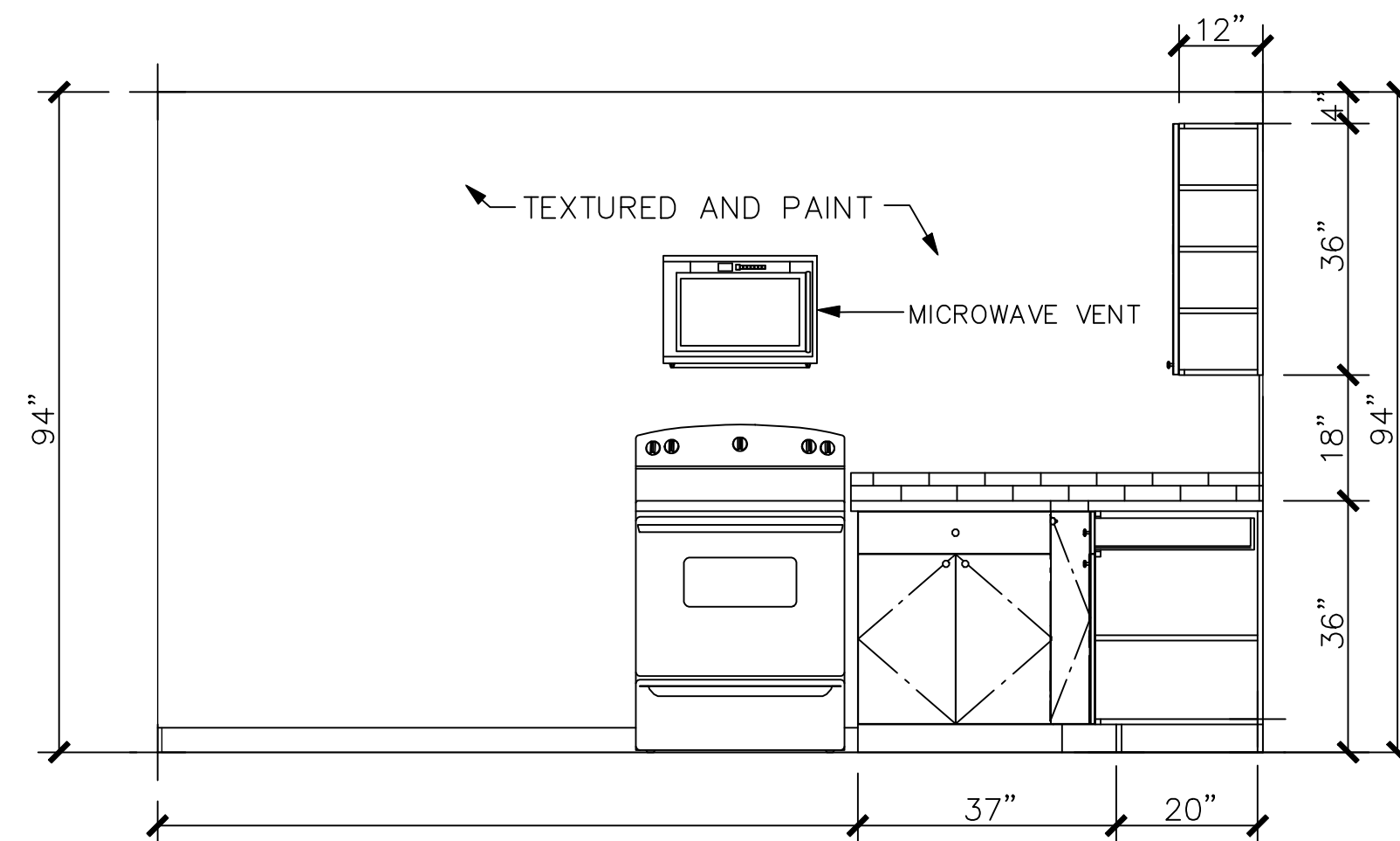
① ELEVATION H



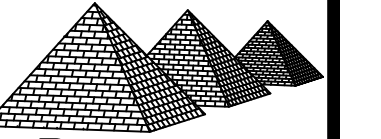
ELEVATION
②



③ ELEVATION J



④ ELEVATION K



Precision
Structural
Engineering,
Inc.

www.structure1.com
Klamath Falls Office
250 Main
Klamath Falls, Oregon
97601
Phone: (541) 850-6300
Fax: (541) 850-6233
info@structure1.com

Medford Office
836 Mason Way
Medford, OR 97501
Phone: (541) 858-8500
Fax: (541) 776-4863
infomd@structure1.com

Licensed in:
Arizona Missouri
California Nebraska
Colorado Nevada
Florida North Carolina
Hawaii Oregon
Iowa Utah
Illinois Washington
Kansas

Construction Types:
Light Gauge Steel, Straw
Bales, Bamboo, Log,
Timber/Wood, Structural
Insulated Panels/SIPs,
Masonry, Steel, Concrete,
Modular Homes/Factory Built
Housing (FBH), Coffee Shop,
ICF, etc., Commercial or
Residential.

Project:

Dental Facility
Conversion

202 Pioneer Street
Chiloquin, Oregon

Owner:

Klamath
Tribe

Stamp:

REVISIONS:
MARK DATE DES./BY:

MARK	DATE	DES./BY

DRAWN BY: RDZ

DS. BY: X.X.

CHK BY: N.T.

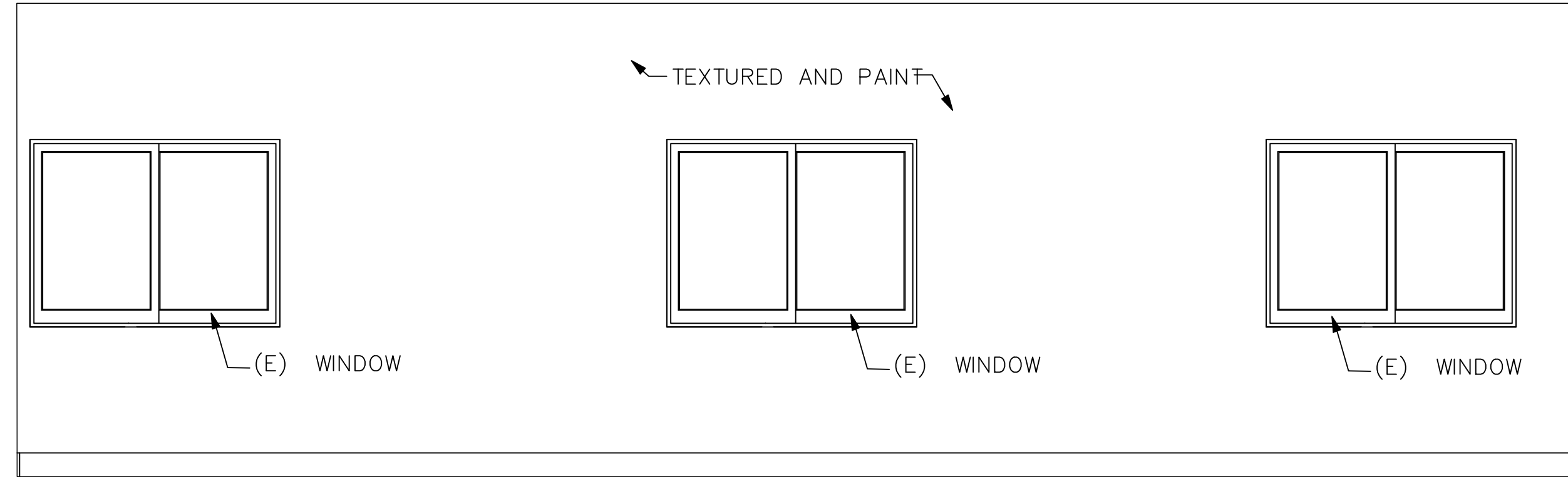
DATE: 09-19-16

PROJECT #:
Klamath
Tribal Health 216-1

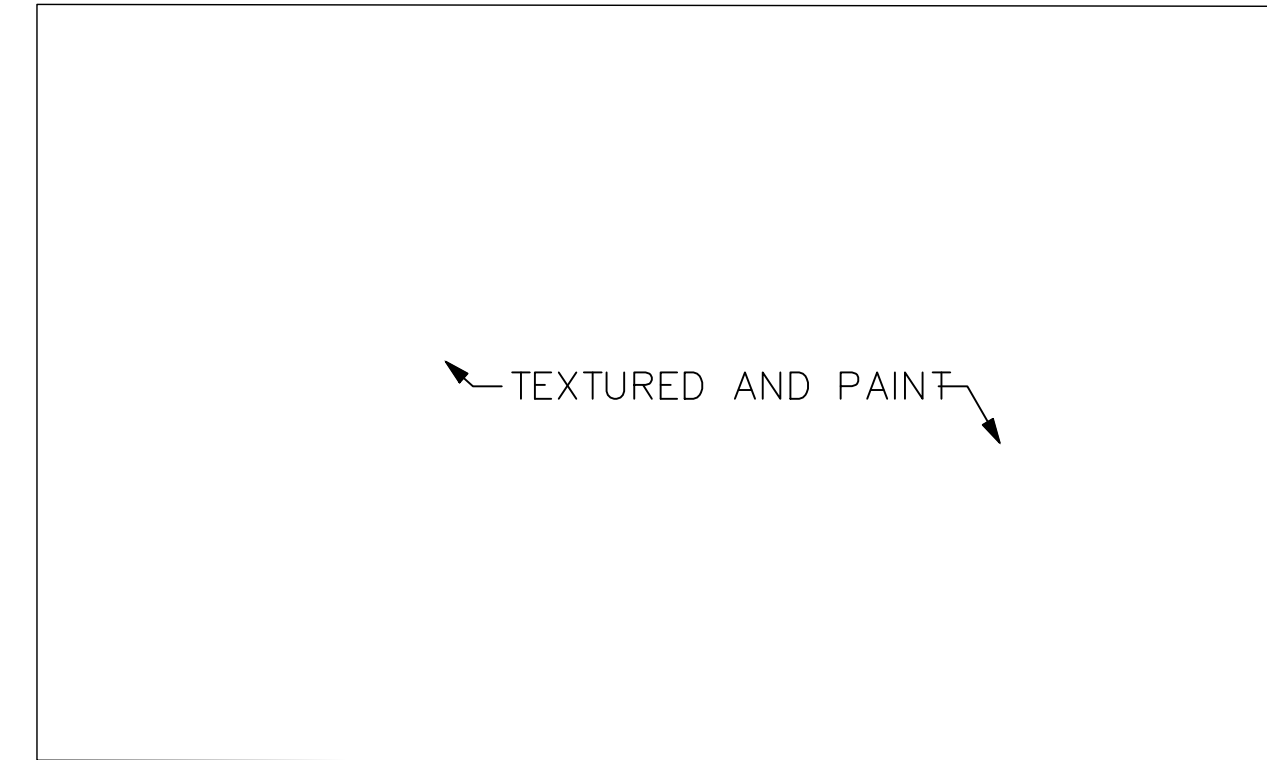
TITLE:
ELEVATIONS

PAGE NO:

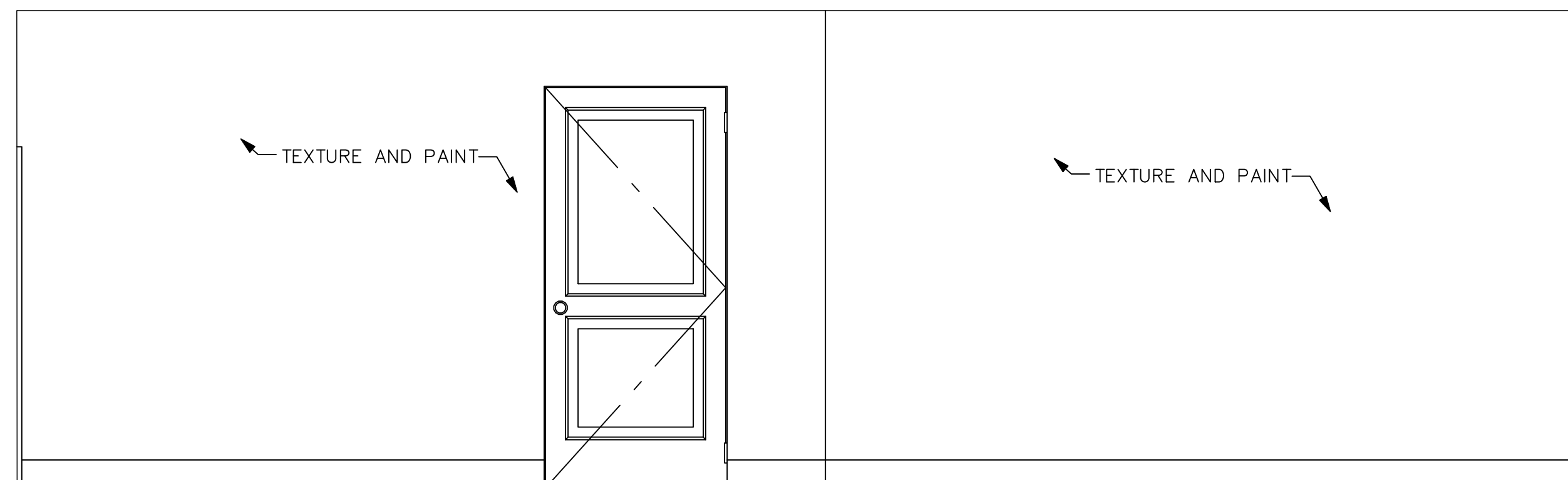
THE DOCUMENTS, IDEAS AND DESIGNS INCORPORATED HEREIN, AS AN INSTRUMENT OF PROFESSIONAL SERVICE, IS THE PROPERTY OF PRECISION STRUCTURAL ENGINEERING, AND IS NOT TO BE USED, IN WHOLE OR PART, FOR ANY OTHER PROJECT WITHOUT THE WRITTEN PERMISSION OF PRECISION STRUCTURAL ENGINEERING.



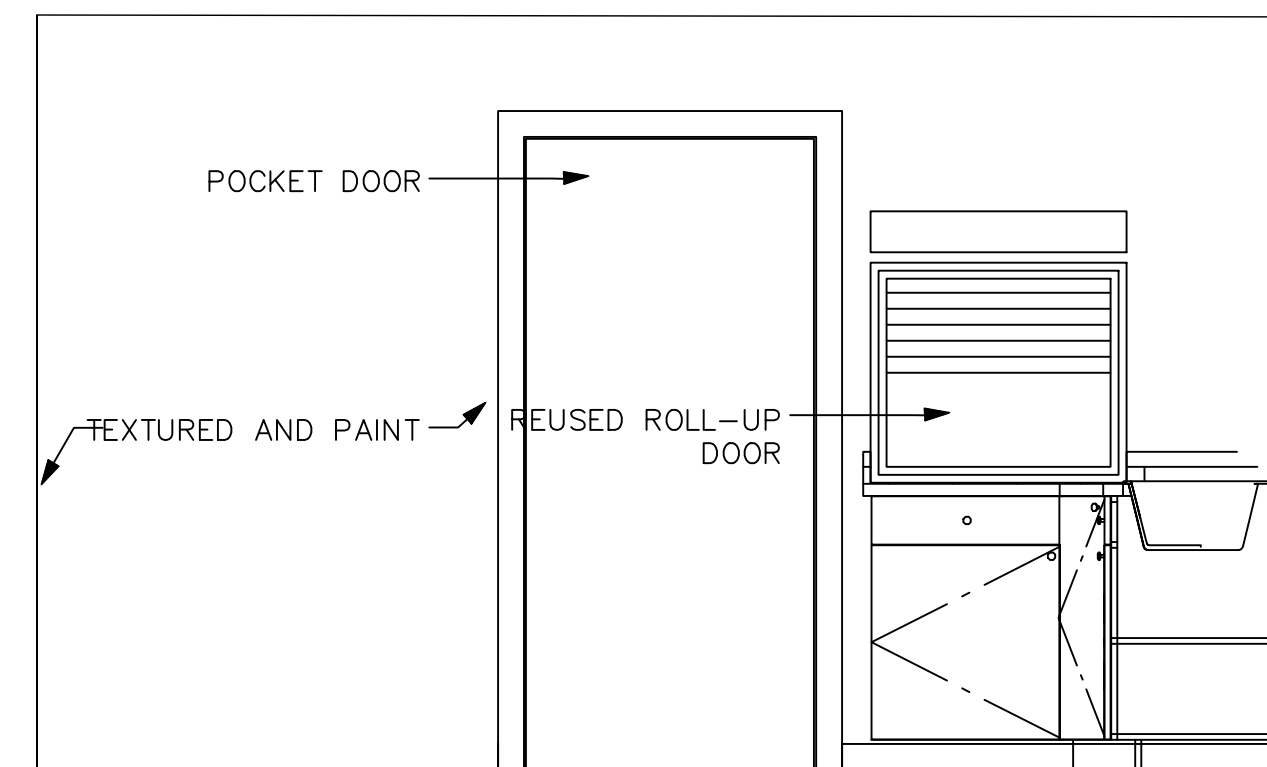
① ELEVATION L



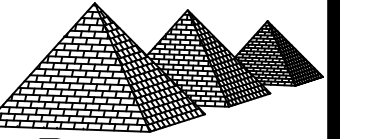
② ELEVATION M



③ ELEVATION N



④ ELEVATION O



Precision
Structural
Engineering,
Inc.

www.structure1.com
Klamath Falls Office
250 Main
Klamath Falls, Oregon
97601
Phone: (541) 850-6300
Fax: (541) 850-6233
info@structure1.com

Medford Office
836 Mason Way
Medford OR, 97501
Phone: (541) 858-8500
Fax: (541) 776-4663
infomd@structure1.com

Licensed in:
Arizona Missouri
California Nebraska
Colorado Nevada
Florida North Carolina
Hawaii Oregon
Iowa Utah
Illinois Washington
Kansas

Construction Types:
Light Gauge Steel, Straw
Bales, Bamboo, Log,
Timber/Wood, Structural
Insulated Panels/SIPs,
Masonry, Steel, Concrete,
Modular Homes/factory Built
Housing (FBH), Coffee Shop,
ICF, etc., Commercial or
Residential.

Project:

Dental Facility
Conversion

202 Pioneer Street
Chiloquin, Oregon

Owner:

Klamath
Tribe

Stamp:

REVISIONS:
MARK DATE DES./BY:

MARK	DATE	DES./BY

DRAWN BY: RDZ

DS. BY: X.X.

CHK BY: N.T.

DATE: 09-19-16

PROJECT #:
Klamath
Tribal Health 216-1

TITLE:
ELEVATIONS

PAGE NO:

A6

SECTION 4

THE DOCUMENTS, IDEAS AND DESIGNS INCORPORATED HEREIN, AS AN INSTRUMENT OF PROFESSIONAL SERVICE, IS THE PROPERTY OF PRECISION STRUCTURAL ENGINEERING, AND IS NOT TO BE USED, IN WHOLE OR PART, FOR ANY OTHER PROJECT WITHOUT THE WRITTEN PERMISSION OF PRECISION STRUCTURAL ENGINEERING.